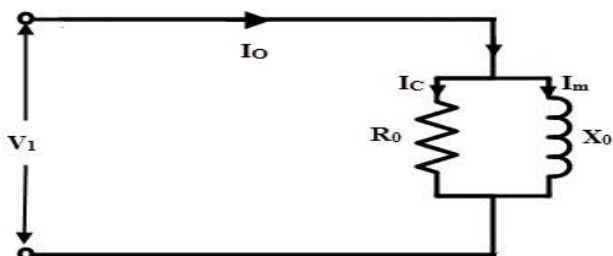
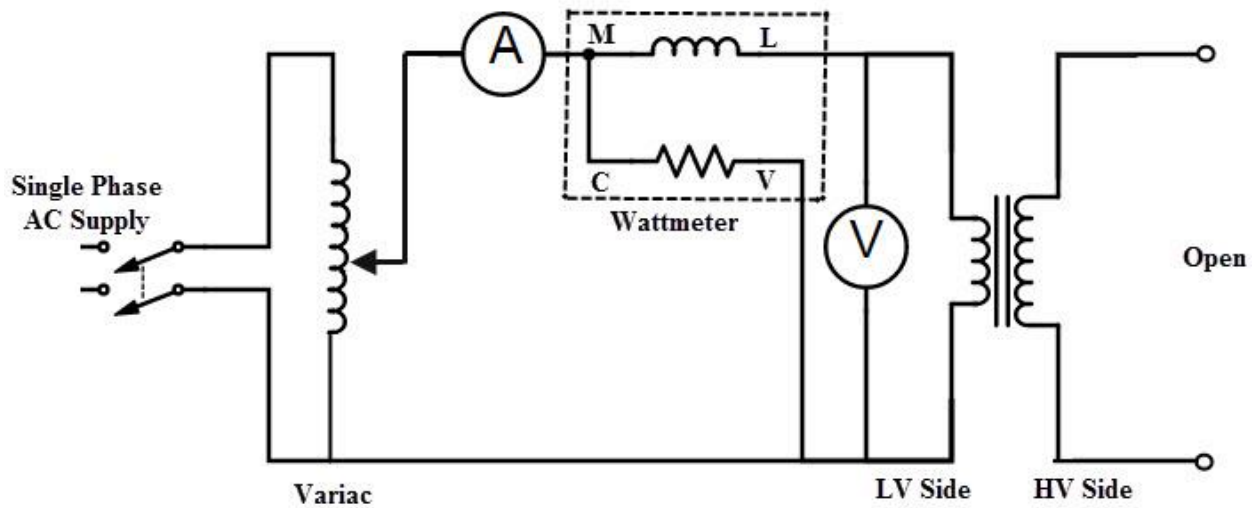
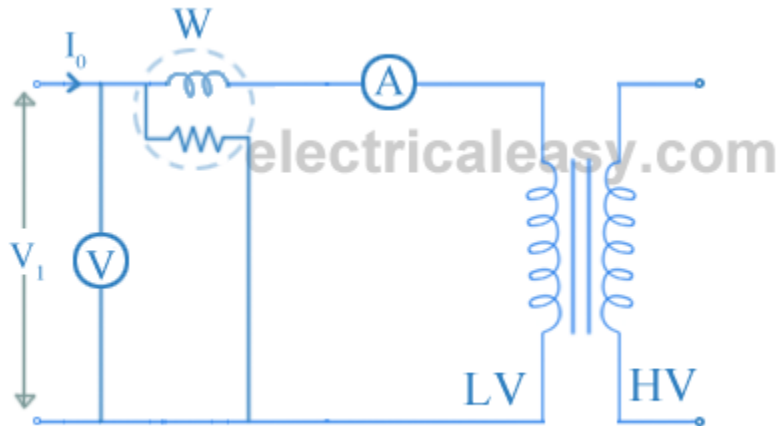
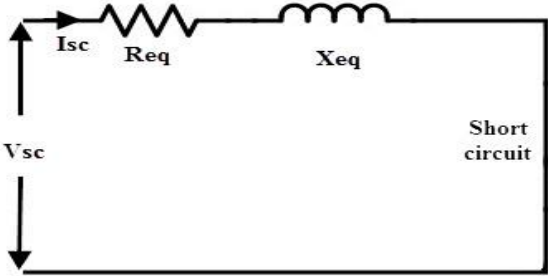
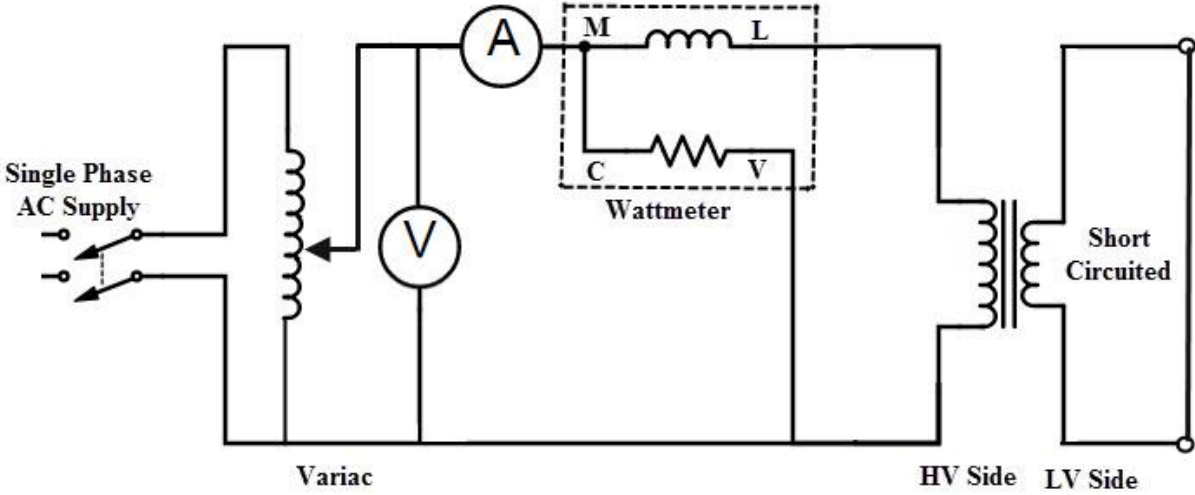
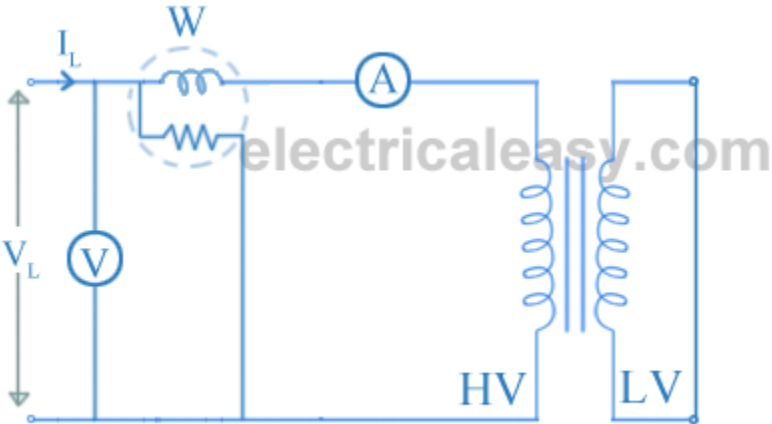


SKEMAT E TESTIMIT TE TRANSFORMATOREVE

1.Prova e Punimit pa ngarkese



2.Prova e Lidhjes se Shkurter dhe Impedances



3. Teste Speciale

Type of Problem

Magnetic Circuit Integrity					
Magnetic Circuit Insulation					
Winding Geometry					
Winding/Bushing/OLTC Continuity					
Winding/Bushing Insulation					
Winding Turn to Turn Insulation					

Diagnostic Technique

Basic Electrical	Winding Ratio	•				
	Winding Resistance			•		
	Magnetisation current	•				•
	Capacitance and DF/PF		•		•	•
	Leakage Reactance				•	
	Insulation Resistance		•			•
	Core Ground Test					•
Advanced Electrical	Frequency Response of Stray Losses			•	•	
	Frequency Response Analysis	•			•	•
	Polarisation/Depolarisation		•			
	Frequency Domain Spectroscopy		•			
	Recovery Voltage Method		•			
	Electrical Detection of PD	•	•			
	Acoustical Detection of PD	•	•			
	UHF Detection of PD	•	•			
Dissolved Gas Analysis	•	•	•		•	•

Table 29: Electrical Tests and DGA Diagnostic Matrix